



Argo Water Trailers

DOT-Compliant Water Transport

Argo

Custom Water Transport Solutions

Our U.S.-manufactured Argo Water Trailer transports water around your job site, farm, arena, residence, or remote location. It facilitates your job by providing dust control, irrigation, washing, watering, fire suppression, and water storage. Since we manufacture our own Argo Water Trailers, we offer unique extra features, such as our mounted locking tool box and permanently fastened instructions. It also means we can offer additional options and customize your trailer to your specifications.

This product is fully DOT compliant for use on public roadways. With its included LED lights, brakes, anti-slip diamond tread fenders, and reinforced trailer mounting, you will be safe on the roads and worry-free from fines, while hauling a durable and well-made water trailer.



Argo Water Trailers

Customizable Water Transport

Features

- Powerful Honda Engine and Pump
- Electric Brakes
- LED Safety Lights (DOT Compliant)
- 8' to 25' Adjustable Width Swath Spray Bar with Flood Nozzles
- 25' Fire Hose with Side Valves
- Inlet and Outlet Manifolds



Additional Options

- Available in 500, 1000, & 1600 Gallon Tanks
- Wood Panel or Diamond Plate Deck
- Hose Bibbs (For Lighter Spray)
- Quick Fill Kit (For High Pressure Sources)
- Suction Fill Kit (Strainer & Fire Hydrant Adapter)
- Poly Tank UV-Coatings
- Call For Even More Options!



For more complete information on GEIWorks products and solutions, visit us on the Web at www.geiworks.com.

Phone: (+1) 772-646-0597 | info@geiworks.com



GEI
WORKS

Argo Water Trailers

Dependable Water Transport

Working in outdoor conditions can be challenging, and our Argo Water Trailers are up to the challenge. The Argo Water Trailer is designed to be rugged and dependable with reinforced trailer mounting, galvanized features, double-coated enamel, and a UV-coated poly tank.

The Argo Water Trailers have a range of versatile uses and applications. Let us know if you have any additional needs and we will try to accommodate your customization. Some of the most common uses and applications include:



Common Uses

- Dust Suppression or Dirt Packing
- Small Fire Suppression
- Rinsing Equipment
- Washing/Hydrating Livestock
- Irrigation
- Turf or Crop Watering
- Tree Spraying
- Landscaping

Applications

- Construction Site
- Horse Arena
- Farms
- Sports Fields
- Parks and Recreation
- Fire Fighting Brush Fires
- General Properties
- Nursery/Grove

Our ease-of-use system arrives turnkey ready for you to begin using it right away. Both the locking toolbox (for storing hoses and protecting accessories) and the valve control instructions are mounted on the deck, so they will travel with you wherever you go. Our DOT-compliant safety features keep you safe on the road and in compliance. Whether you take the Argo Water Trailer around your property or on the road, you will be prepared for any watering requirements.



Argo 500 Gallon Water Trailer

500 Gallon Specifications	
Tank Style	500 Gallon Polyethylene Round Leg Tank (525 Gallon Total Capacity)
Tank Color	Translucent White (Other Colors Available)
Frame	5" Channel Iron w/ 3" Channel Crossmembers
Axles	2 x 3,500 lb GVWR E-Z Lube Axles
DOT-Compliant	LED Brake Lights, Wiring & Connectors
Brakes	Electric Brakes
Fenders	Steel Diamond Tread Fenders w/ Access Steps
Finish	Primed-2 Coat Enamel, Black w/ Pinstripe
Warranty	1 Year Limited Warranty
Spray Bar	Galvanized with 2 Brass Nozzles; 25' Swath
Suction Hose	25' x 5/8" Black Rubber Suction Hose w/ Hose Grip Sprayer Nozzle
Fire Hose	25' Hose and Nozzle (50' and 75' Hose Options Available)
Engine	4 HP Honda Engine
Pump	2" Honda Pump
Tires	15" on 5 Lug Silver Radials
GVWR Capacity	7,000 lbs
Length	10' (Not Including Tongue)
Width	82" Between Fenders, 101" Total Width
Height	20" Deck Height, 70" Total Height
Hitch	2-5/16" Adjustable Ball & Pintle Ring; 5/16" Heavy Duty Safety Chain
Jack	7,000 lb Drop Foot Jack
Trailer Deck	10' Straight Deck; 2" Pressure Treated Wood Deck w/ 3" Cross Members Every 24" (Optional Diamond Plate Decking Available)
Accessories	Mounted Lockable Tool Box, Stake Pocket Tie Downs

© 2019 GEI Works
All rights reserved
GEI Works terms and conditions apply.

All photos are representative only. Actual products may differ.

Materials and specifications are subject to change without notice.
Featured products in photos may include additional equipment or accessories.

GEI Works, Mars, Taurus, Triton, Kraken, Orion, Helios, Centaur, Hydrostar and geiworks.com, their respective logos, product identity used herein, are trademarks of GEI Works and may not be used without permission.



GEI
WORKS

Argo 1000 Gallon Water Trailer

1000 Gallon Specifications	
Tank Style	1000 Gallon Polyethylene Round Leg Tank (1025 Gallon Total Capacity)
Tank Color	Translucent White (Other Colors Available)
Frame	6" Channel Iron w/ 3" Channel Crossmembers, 24" On Center
Axles	2 x 7,000 lb GVWR E-Z Lube Axles; Slipper Spring Suspension
DOT-Compliant	LED Brake Lights, Wiring & Connectors
Brakes	Electric Brakes
Fenders	Steel Diamond Tread Fenders w/ Access Steps
Finish	Primed-2 Coat Enamel, Black w/ Pinstripe
Warranty	1 Year Limited Warranty
Spray Bar	Galvanized with 2 Brass Nozzles; 25' Swath
Suction Hose	25' x 5/8" Black Rubber Suction Hose w/ Hose Grip Sprayer Nozzle
Fire Hose	25' Hose and Nozzle (50' and 75' Hose Options Available)
Engine	4 HP Honda Engine
Pump	2" Honda Pump
Tires	16" on 8 Lug Silver Radials
GVWR Capacity	14,000 lbs
Length	16' (Not Including Tongue)
Width	82" Between Fenders, 101" Total Width
Height	26" Deck Height, 79" Total Height
Hitch	2-5/16" Adjustable Ball & Pintle Ring; 5/16" Heavy Duty Safety Chain
Jack	7,000 lb Drop Foot Jack
Trailer Deck	10' Straight Deck; 2" Pressure Treated Wood Deck w/ 3" Cross Members Every 24" (Optional Diamond Plate Decking Available)
Accessories	Mounted Lockable Tool Box, Stake Pocket Tie Downs

© 2019 GEI Works
 All rights reserved
 GEI Works terms and conditions apply.

All photos are representative only. Actual products may differ.

Materials and specifications are subject to change without notice.
 Featured products in photos may include additional equipment or accessories.

GEI Works, Mars, Taurus, Triton, Kraken, Orion, Helios, Centaur, Hydrostar and geiworks.com, their respective logos, product identity used herein, are trademarks of GEI Works and may not be used without permission.



GEI
 WORKS

Argo 1600 Gallon Water Trailer

1600 Gallon Specifications

Tank Style	1600 Gallon Polyethylene Round Leg Tank (1625 Gallon Total Capacity)
Tank Color	Translucent White (Other Colors Available)
Frame	6" Channel Iron w/ 3" Channel Crossmembers, 16" On Center
Axles	3 x 7,000 lb GVWR; Slipper Spring Suspension
DOT-Compliant	LED Brake Lights, Wiring & Connectors
Brakes	Electric Brakes
Fenders	Steel Diamond Tread Fenders w/ Access Steps
Finish	Primed-2 Coat Enamel, Black w/ Pinstripe
Warranty	1 Year Limited Warranty
Spray Bar	Galvanized with 2 Brass Nozzles; 25' Swath
Suction Hose	25' x 5/8" Black Rubber Suction Hose w/ Hose Grip Sprayer Nozzle
Fire Hose	25' Hose and Nozzle (50' and 75' Hose Options Available)
Engine	4 HP Honda Engine
Pump	2" Honda Pump
Tires	16" on 8 Lug Silver Radials
GVWR Capacity	20,000 lbs
Length	16' (Not Including Tongue)
Width	82" Between Fenders, 101" Total Width
Height	26" Deck Height, 89" Total Height
Hitch	Flat-nosed Adjustable Nose Plate with 2-5/16" Ball with Pintle Ring Coupler; 5/16" Heavy Duty Safety Chain
Jack	12,000 lb Drop Foot Jack
Trailer Deck	10' Straight Deck; 2" Pressure Treated Wood Deck w/ 3" Cross Members Every 24" (Optional Diamond Plate Decking Available)
Accessories	Mounted Lockable Tool Box, Stake Pocket Tie Downs

© 2019 GEI Works
All rights reserved
GEI Works terms and conditions apply.

All photos are representative only. Actual products may differ.

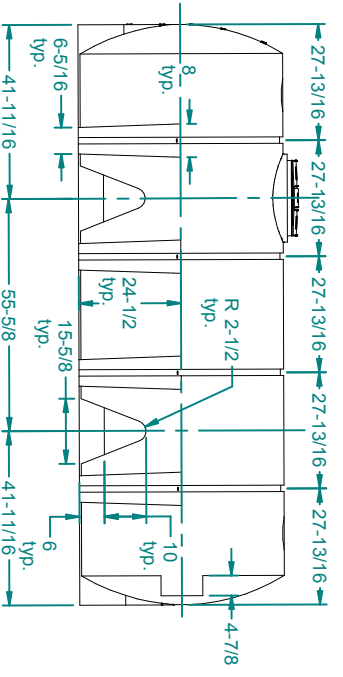
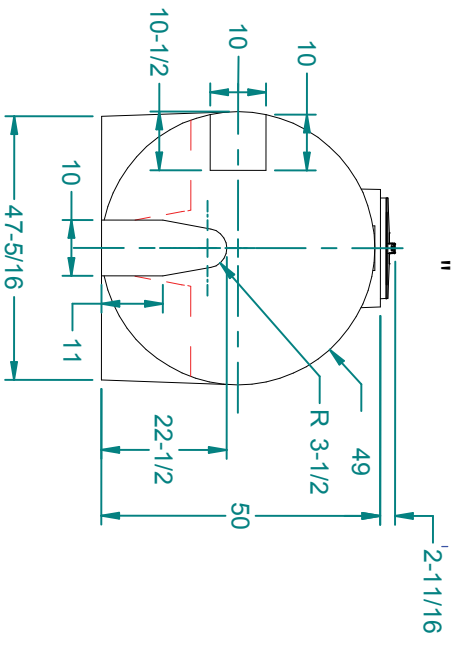
Materials and specifications are subject to change without notice.
Featured products in photos may include additional equipment or accessories.

GEI Works, Mars, Taurus, Triton, Kraken, Orion, Helios, Centaur, Hydrostar and geiworks.com, their respective logos, product identity used herein, are trademarks of GEI Works and may not be used without permission.

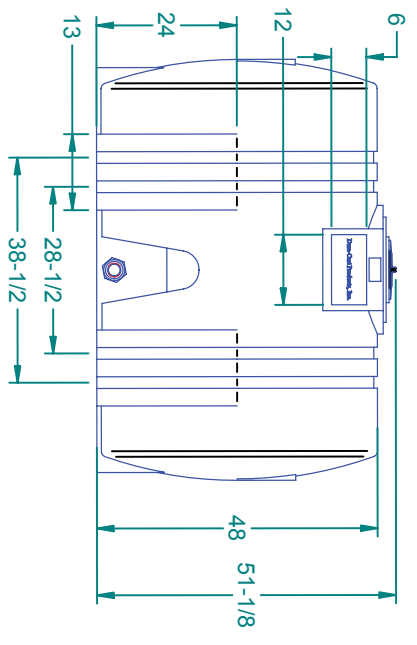
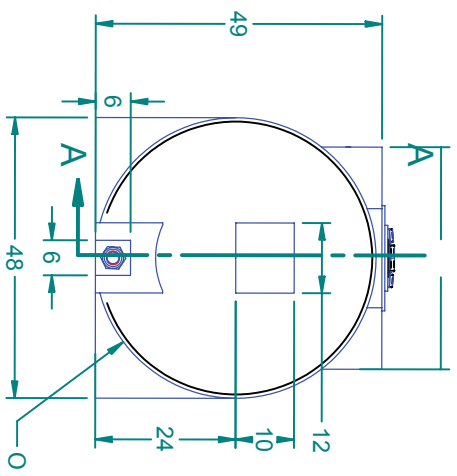


GEI
WORKS

Model 1025 Tank
Trailer size = 6' x 15'



Model 500 Tank
Trailer Size = 6' x 9'



 **GEI**
WORKS
772.646.0597
www.GEIWorks.com

Argo Water Trailer Model 500/1025

Scale:	Drawing:	Revision:	Date:	By:
--------	----------	-----------	-------	-----

Drawing for illustrative purposes only. Not to scale. © Copyright 2016 GEIWorks, Inc. All rights reserved.